



JUNCKERS

UNOBAT 62+

Batten system for even/uneven
subfloors
Construction height from
62-209mm

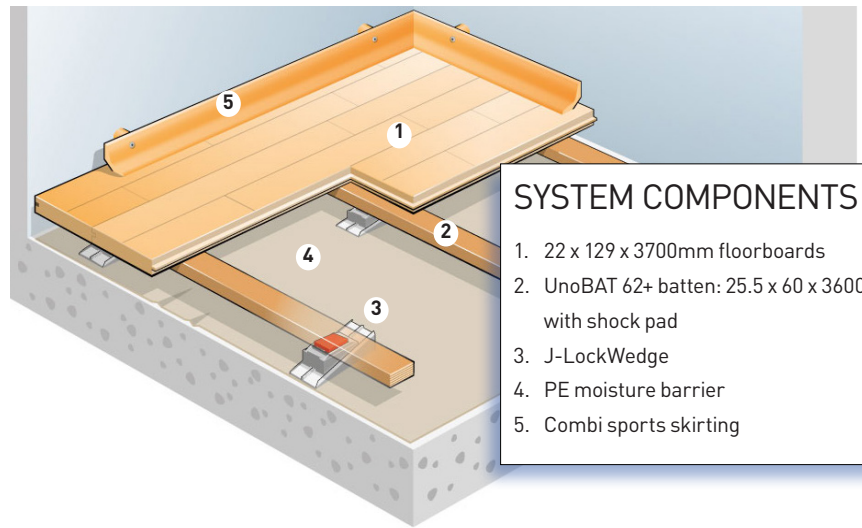
JUNCKERS.COM



UNOBAT 62+

The solid floor boards are nailed to a resilient subconstruction of one layer engineered battens featuring unique shock absorbing rubber pads. Junckers' time-saving levelling system using locking J-LockWedges are easily clicked on to the shock pad. Correct height and levelness of the floor is quickly ensured without use of nails and tools. Range of bases to suit differing heights is available.

Junckers patented levelling system constitutes a basis for levelling the floor in less time than by using standard packing materials. J-Lock elements without the locking wedge are available where levelling of the subfloor is not necessary.



SYSTEM COMPONENTS

1. 22 x 129 x 3700mm floorboards
2. UnoBAT 62+ batten: 25.5 x 60 x 3600mm with shock pad
3. J-LockWedge
4. PE moisture barrier
5. Combi sports skirting

FACTS	
PERFORMANCE	Area-elastic according to EN 14904 class A4
USE	All types of sport Multi-functional sports halls From small leisure centres to large arenas Refurbishment
FLOORBOARD TYPE	Prefinished 22mm 2-strip solid hardwood parquet
SUBCONSTRUCTION	Single layer batten system
BATTEN CENTRE, C/C	Choice between 336mm and 411mm
REQUIRED SUBFLOOR	Even or uneven
CONSTRUCTION HEIGHT, PACKINGS EXCLUDED	62mm
CONSTRUCTION HEIGHT, PACKINGS & ADDITIONAL BASES INCLUDED	Minimum 82-182mm Maximum 109-209mm
JUNCKERS 25 YEARS FATIGUE TEST	Yes
SANDING AND RE-SEALING	Yes to bare wood 8-10 times
SUITABLE FOR UNDERFLOOR HEATING	Yes

TEST TYPE	Requirements EN 14904:A4	Batten distance c/c 411mm	Batten distance c/c 336mm
SHOCK ABSORPTION	≥ 55 < 75 %	67 %	65 %
VERTICAL DEFORMATION	≥ 2.3 < 5.0 mm	3.0mm	2.6mm
BALL BOUNCE	≥ 90 %	93 %	94 %
FRICITION	≥ 80 ≤ 110	~ 85	~ 85
ROLLING LOAD	≥ 1500 N	✓ 3000 N ¹⁾	✓ 3500 N ¹⁾
POINT LOAD	None	6000 N ~ 600 kgs ²⁾	6000 N ~ 600 kgs ²⁾

1. Junckers test with solid rubber wheels: width 50mm, diameter 100mm.
2. Junckers test with 100x100mm point load



JUNCKERS

Junckers Industries A/S

Tel. +45 7080 3000

Junckers.com / junckers@junckers.com